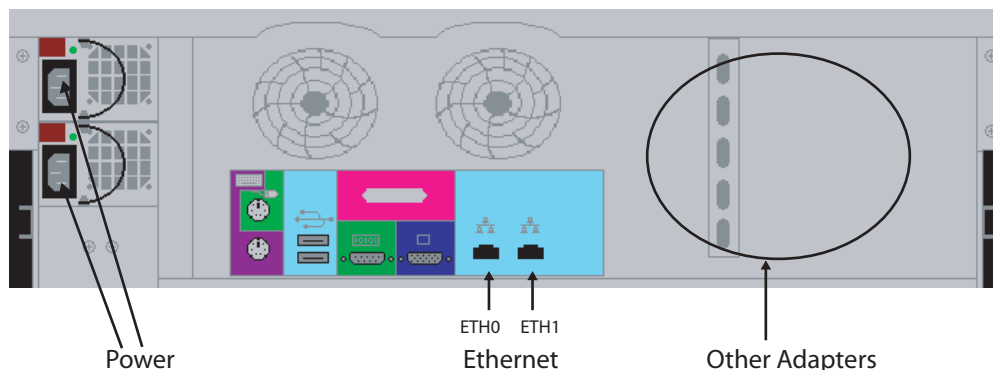


Initial setup of the FEP-4600:

1. Cable the unit (power and Ethernet initially).
2. Edit the fep4600.ini file on the floppy (see **Setting the Initial IP Address** below).
3. Power up the unit with the floppy in the drive.
4. Using any web browser, connect to the FEP-4600 to complete the setup. *The Management Password is case sensitive, and is set at the factory to **admin**.*

Cabling the Unit *(variations in the physical appearance may occur)*



- Power:** Two different power cables (and sources) may be used
- Ethernet:** Both ETH0 and ETH1 can be used to access the FEP-4600 using RJ45 connections
- Token Ring:** The Token Ring adapter accepts RJ45 or DB9 connections
- ESCON:** Connections are via ESCON Duplex cable
- QSA:** Hydra cable connects directly to back of the QSA card. Individual modem lines make connections into Hydra cable ends.
- QBA:** Dual Hydra cables connect directly to back of QBA card. Individual modem lines make connections into Hydra cable ends.

Setting the Initial IP Address

Note: The FEP-4600 may be connected to initially by using the default IP address of 192.168.0.46 (set at the factory). The fep4600.ini file must be edited as described below in order to change the IP address from the default.

On the floppy disk included with the unit is a file called fep4600.ini, which includes a section that looks like this:

```
[Network]
eth0_ip=192.168.0.46
Netmask=255.255.255.0
DefaultGateway=192.168.0.254
```

1. Using a plain-text editor (such as Windows' Wordpad), change the IP addresses to the desired values. If the original floppy cannot be located, just create the fep4600.ini file with the entries shown above. *Note: no whitespace (spaces or tabs) is allowed in these entries.*
2. Put the floppy disk back into the FEP-4600 and turn it on. The values in the file on the floppy will be copied to the permanent copy of fep4600.ini file on the hard disk, and will take affect immediately. The floppy is not required for future reboots.

FEP-4600 Quick Start Guide

Initial Configuration

The Factory Default configuration that ships with your unit must be customized for your hardware and environment. Once you have cabled the unit and set the IP address to be compatible with your network connections, you can connect to it with any web browser. Refer to the *FEP-4600 Installation and Configuration Manual* for details on how to proceed with the configuration.

