



Vi-7700 *Open Systems Storage Array*

The Vi-7700 Open Systems Storage Array provides an excellent combination of price, performance and scalability. The Vi-7700 is focused on providing centralized management for local and remote storage requirements that enables enterprise-wide data management and security strategies for backup and archiving.

Vi-7700 Features

- Redundant Server Option
- Hybrid Storage
- Snap Shots – SnapFlash™
- Automatic Tiering – SnapTier™
- Cloud support
- Secure Replication support
- Deduplication support
- Up to 16 Fiber Channel, iSCSI, InfiniBand, interfaces per 7700
- Up to 12PB of data storage

Vi-7700 Technology

The Vi-7700 is a disk-based storage system that transparently appears to applications as standard Linux storage or standard NFS storage conveniently housed in a 2-meter high, 19" storage rack. Each Vi-7700 rack is capable of supplying up to 2.2 PB of non-compressed storage.

Multiple Vi-7700 storage racks can be easily connected together to provide up to 12 PB or more of storage.

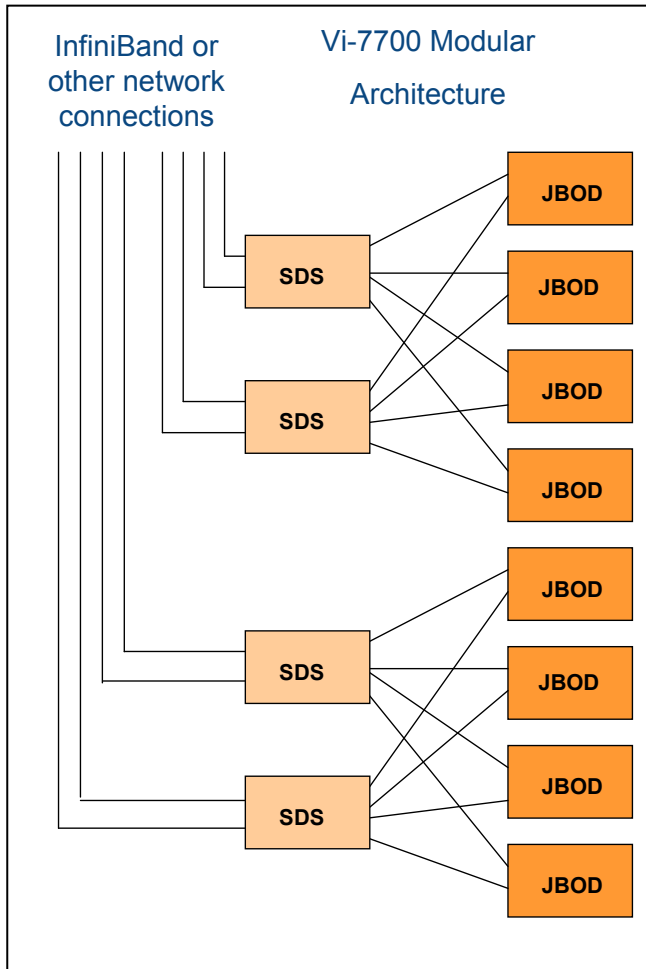
The Vi-7700 provides redundant, scalable modular storage using RAID 6 technology and with no single point of failure. Spare drives, are automatically integrated into the storage complex and brought current should a drive failure occur. That coupled with redundant power, and cooling allows the Vi-7700 to provide extremely high availability and bandwidth. Administrative and dial-home notification of hardware failures is supported, as is hot-swapping of drives, power supplies, and fans.

Redundant modules permit routine maintenance and upgrades to occur without impacting production operation and availability.

Remote Physical Tape Access

A web-based graphical user interface (GUI) is provided to configure and monitor the Vi-7700. The GUI can be used to access information such as the current storage system hardware status and resource usage statistics. This interface has been designed to make more efficient use of a storage administrator's time in configuring and managing the VI-7700 and while also helping reduce the time needed to train new administrators. Status panels are color-coded for simple ease of use and determining the current operating status.





Vi-7700 Specifications

- Up to 16 Fibre channels
- Any size virtual volumes
- Up to 12 PB data storage
- RAID 6 redundancy with spare drives
- 19" Rack, 42U height
- 27.5" depth
- Actual weight 730-2100 lbs, shipping weight 835-2205 lbs
- Dual independent power feeds @100-240V, 50-60 Hz